

## FIRE DEPARTMENT DETAILS

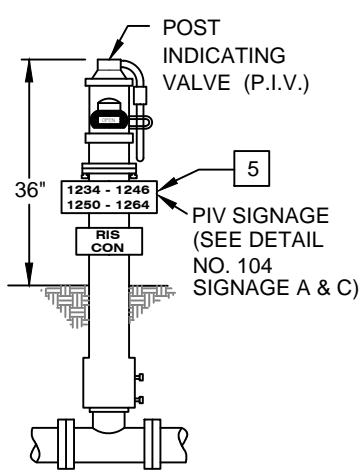
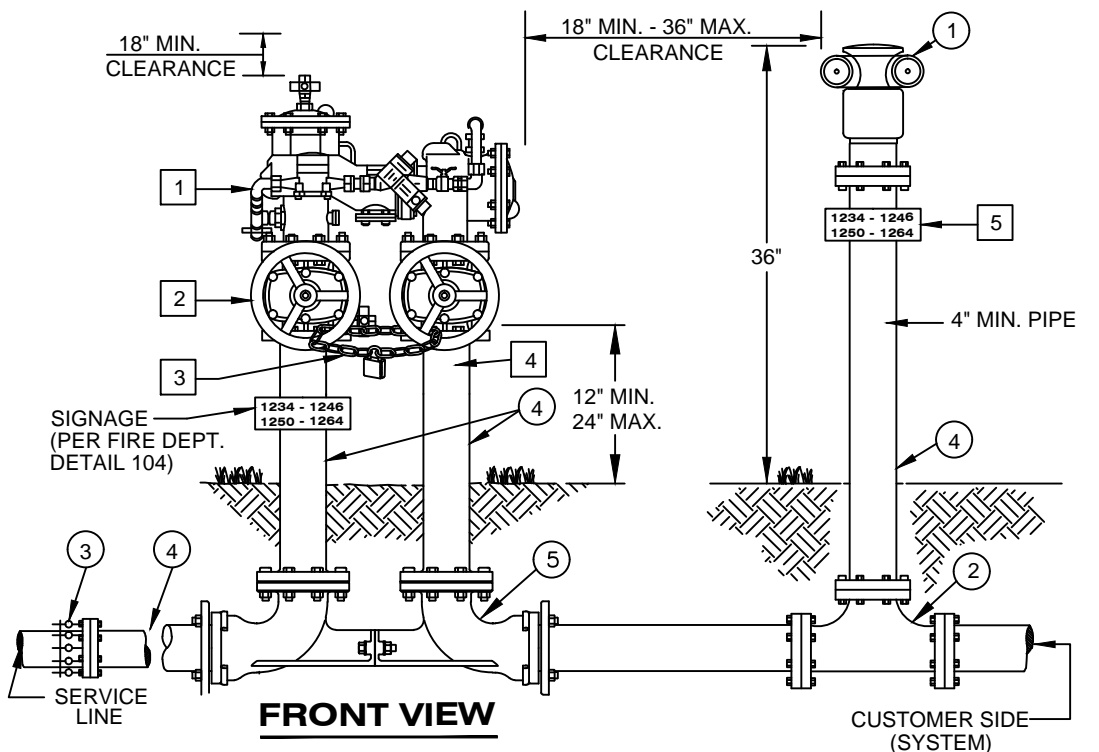
### \* INDICATES REVISED DETAILS / \*\*\* NEW DETAIL

*	FD 102	2015	Fire Line Installation (No on-site hydrants required / for small sites and/or single buildings)
*	FD 103	2015	Fire Line Installation On-Site Hydrant Required / For Large Sites And/Or Multiple Buildings
*	FD 104	2015	Fire Department Valve Signage
*	FD 105	2015	Fire Sprinkler System Riser Commercial Installation
*	FD 108	2015	Fire Dept Emergency Access Gate Signage
*	FD 109	2015	Emergency Access Barrier
*	FD 111	2015	Fire Lane Signage
*	FD 112	2015	Alternative Fire Lane Signage (Approved by Fire Marshal Only)
*	FD 115	2015	Blocked Door Signage
*	FD 121	2015	Deleted
*	FD 123	2015	Deleted
*	FD 124	2015	Deleted
*	FD 141	2015	Fire Apparatus Roadways and Turnarounds
*	FD 143	2015	Fire Apparatus Roadways and Turnarounds Private Residential Cul-De-Sac
***	FD 144	2015	Fire Sprinkler Riser W/ Backflow Prevention (Downtown Installation Only - <b>New</b> )

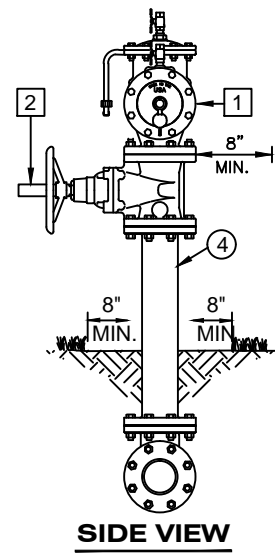
### \*\* INDICATES FONT AND BORDER REVISIONS ONLY

**	FD 106	2015	Fire Riser Room and Fire Alarm Panel Signage
**	FD 107	2015	Temporary Fire Dept Access Road Signage
**	FD 151	2015	Address Identification





FOR SINGLE RISER SYSTEMS, A PIV IS REQUIRED AS RISER CONTROL VALVE WITHIN 10 FEET OF THE BUILDING. IF PIV IS ELIMINATED THEN FD105 SHALL BE USED.



TAMPER-RESISTANT BOLT OR SCREW

NOTES

1. FDC SHALL BE INSTALLED IN A MANNER TO PREVENT TAMPERING AND/OR THEFT.
2. PRIOR TO INSTALLING THE FDC ON THE CHECK CHECK VALVE, THREADLOCKER, OR EQUIVALENT, SHALL BE PLACED ON THE THREADS.
3. TAMPER RESISTANT BOLT OR SCREW SHALL BE INSTALLED IN THE BASE OF THE FDC BY DRILLING A 3/8 INCH HOLE THROUGH THE MANIFOLD CASE AND INNER THREADS.

- LIST OF MATERIALS**
1. FIRE DEPT. SIAMESE CONNECTION (FDC) (RED).
  2. FLANGED TEE.
  3. FLANGED ADAPTER, (WHEN REQUIRED).
  4. PIPE SPOOL. (FLANGED D.I.P.)
  5. 90° ELBOW. (FLANGED D.I.P.)

**SCREENING METHOD**

1. SCREEN WALLS, PLANT MATERIAL, BERMING AND/OR BUILDING ORIENTATION SHALL BE SUBMITTED TO DEVELOPMENT SERVICES FOR REVIEW AND APPROVAL PRIOR TO START OF CONSTRUCTION.
2. METHOD OF SCREENING USED MAY REQUIRE FDC'S TO BE REMOTELY LOCATED. FDC LOCATION AND METHOD OF INSTALLATION SHALL BE INCLUDED ON SCREENING PLAN SUBMITTED TO DEVELOPMENT SERVICES FOR REVIEW AND APPROVAL.

**NOTES**

1. DOUBLE CHECK DETECTOR ASSEMBLY WITH BYPASS METER SHALL BE UL LISTED OR FM APPROVED FOR FIRE PROTECTION USE AND SHALL BE AS APPROVED BY U.S.C. FOUNDATION FOR CROSS-CONNECTION CONTROL AND HYDRAULIC RESEARCH. THIS ASSEMBLY IS TO BE USED FOR POLLUTION HAZARDS ONLY AS RECOMMENDED IN THE AWWA-M14 MANUAL.
2. ALL PIPING, VALVES, FITTINGS AND APPURTENANCES DOWNSTREAM OF THE SERVICE LINE SIDE O.S.& Y. VALVE SHALL BE APPROVED FOR FIRE PROTECTION USE AND INSTALLED PER N.F.P.A. #24.
3. THE ENTIRE ASSEMBLY SHALL BE SECURED WITH CHAIN AND LOCK.
4. BACKFLOW DEVICES SHALL BE PAINTED TO MATCH THE LANDSCAPE (DESERT BROWN).
5. FDC'S AND PIV'S SHALL BE PAINTED RED AND SIGNED PER FIRE DEPT. DETAIL NO. 104 SIGNAGE A, B, OR C.

**GENERAL NOTES:**

1. FDC'S SHALL BE LOCATED WITHIN 150 FEET OF A PUBLIC (YELLOW) FIRE HYDRANT ON THE SAME SIDE OF DRIVEWAY, AT THE ENTRANCE TO THE SITE.
2. A REGISTERED STRUCTURAL ENGINEER SHALL SEAL THE DESIGN OF THE THRUST BLOCKS, SUPPORTS AND TIE ROD ASSEMBLIES.
3. MAINTAIN 3 FEET CLEARANCE AROUND PIV AND FDC. (NO TREES, BUSHES, FENCES, CACTUS OR RIVER ROCK.
4. MAX DISTANCE BETWEEN FDC AND BACKFLOW MAY BE MODIFIED ONLY AS APPROVED BY THE FIRE MARSHAL.

DETAIL NO.  
**FD102**  
NTS

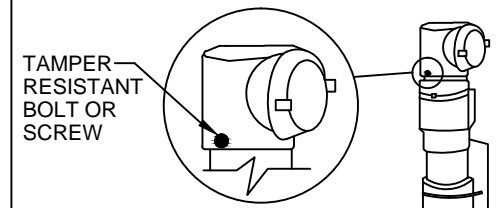
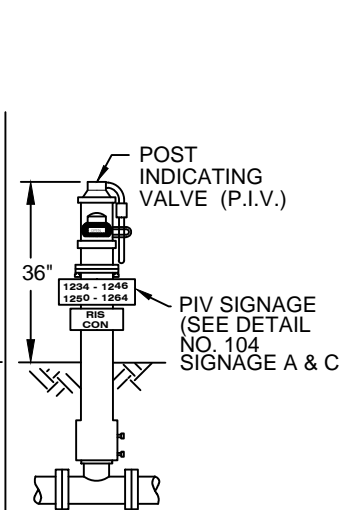
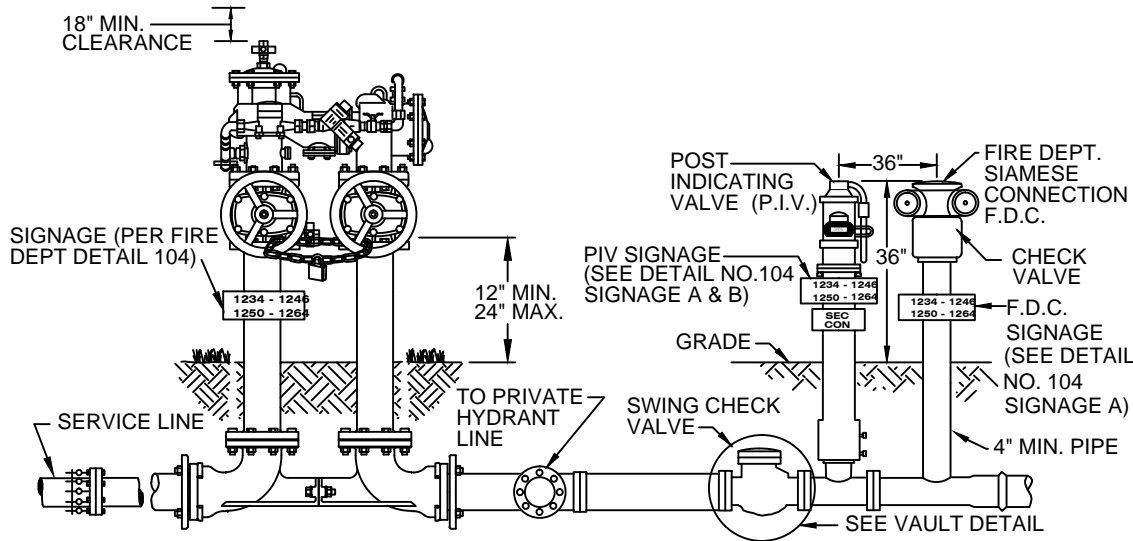


CITY OF CHANDLER  
STANDARD DETAIL

**FIRE LINE INSTALLATION**  
**(NO ON-SITE HYDRANTS REQUIRED / FOR**  
**SMALL SITES AND/OR SINGLE BUILDINGS)**

APPROVED: *M. Sunderhaus*  
FIRE MARSHAL  
DATE: 07-09-2015

DETAIL NO.  
**FD102**  
NTS

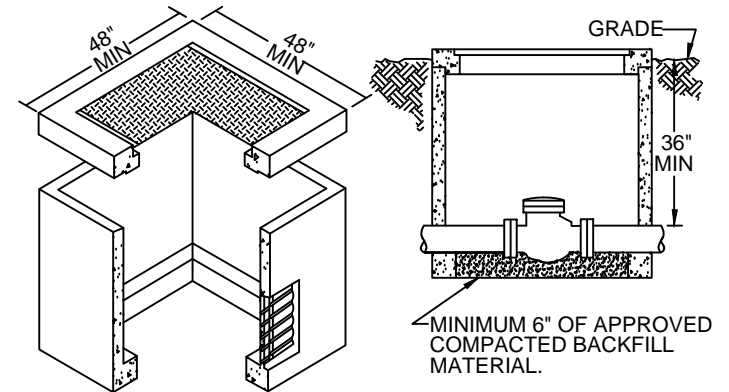


**NOTES**

1. FDC SHALL BE INSTALLED IN A MANNER TO PREVENT TAMPERING AND/OR THEFT.
2. PRIOR TO INSTALLING THE FDC ON THE CHECK VALVE, THREADLOCKER, OR EQUIVALENT, SHALL BE PLACED ON THE THREADS.
3. TAMPER RESISTANT BOLT OR SCREW SHALL BE INSTALLED IN THE BASE OF THE FDC BY DRILLING A 3/8 INCH HOLE THROUGH THE MANIFOLD CASE AND INNER THREADS.

MULTIPLE RISER SYSTEMS, ADDITIONAL PIVS MAY BE REQUIRED AS RISER CONTROL VALVES. RISER CONTROL VALVES TO BE WITH 10 FEET OF BUILDING. IF RISER CONTROL VALVE IS ELIMINATED THEN FD105 SHALL BE USED.

- NOTES:**
1. ALL FD102 NOTES, GENERAL NOTE AND LIST OF MATERIALS SHALL APPLY TO FD103 DESIGN. (EXCEPT GENERAL NOTE #4).
  2. FDC'S SHALL BE LOCATED WITHIN 150 FEET OF A PUBLIC (YELLOW) FIRE HYDRANT ON THE SAME SIDE OF DRIVEWAY AT THE ENTRANCE TO THE SITE.
  3. SWING CHECK VALVES USED ON UNDERGROUND FIRE LINES SHALL BE INSTALLED WITHIN A VAULT IN ACCORDANCE WITH THIS DETAIL. THE CHECK VALVE AND VAULT ASSEMBLY SHALL BE INSTALLED AFTER THE PRIVATE HYDRANT LINE (PRIVATE HYDRANTS SHALL BE PAINTED YELLOW WITH A BLACK BONNET).
  4. FIRE SPRINKLER LINES SHALL HAVE A SECTIONAL CONTROL PIV INSTALLED BETWEEN THE SWING CHECK VALVE AND THE FDC. A SECTIONAL CONTROL PIV SHALL BE INSTALLED AT MID POINT ON THE LOOPED FIRE LINE TO PROVIDE FOR ISOLATION OF THE FIRE LINE.
  5. FIRE SPRINKLER LINES SHALL HAVE A RISER CONTROL PIV FOR EACH INDIVIDUAL RISER. THE PIV'S SHALL BE LOCATED AS CLOSE TO THE RISER AS PRACTICAL. THE RISER CONTROL PIV'S MAY BE ELIMINATED WHEN FD105 IS USED. FIRE SPRINKLER (FS) SYSTEM RISER (FD105) SHALL BE SHOWN ON CIVIL AND FS BUILDING PLANS. PROVIDE A KEY BOX FOR FIRE DEPARTMENT ACCESS.
  6. ALL STUB OUT AND FUTURE DEVELOPMENT PADS (PHASED PROJECTS) SHALL END WITH A PIV PAINTED FOREST GREEN.



**VAULT DETAIL**

DETAIL NO.  
**FD103**  
NTS



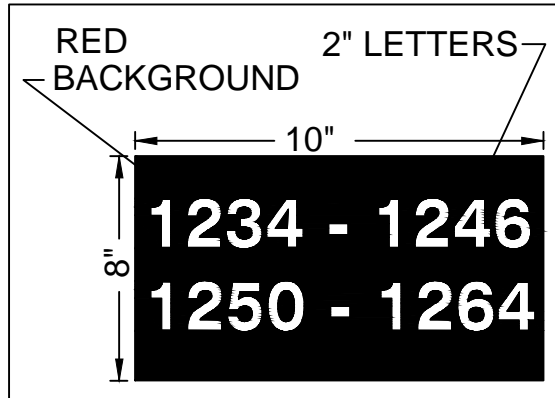
CITY OF CHANDLER  
STANDARD DETAIL

**FIRE LINE INSTALLATION  
ON-SITE HYDRANT REQUIRED / FOR  
LARGE SITES AND/OR MULTIPLE BUILDINGS**

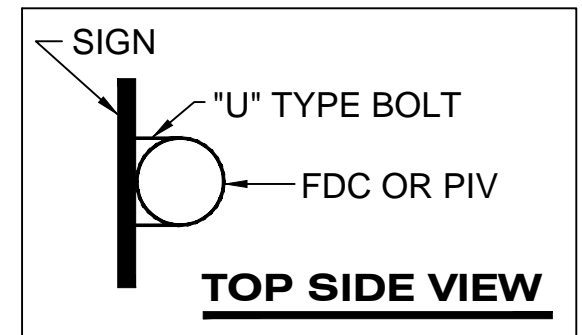
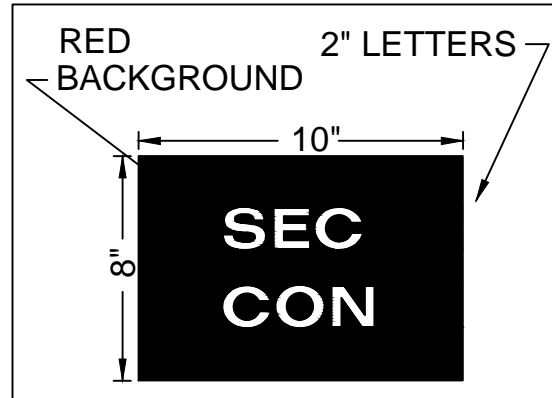
APPROVED: *M. Sunderhaus*  
FIRE MARSHAL  
DATE: 07-09-2015

DETAIL NO.  
**FD103**  
NTS

## SIGNAGE A



## SIGNAGE B



### NOTES:

1. THE SIGNS SHALL INCLUDE THE ADDRESS(S) OF THE PREMISE(S) SERVING THE FDC OR PIV.
2. THE SIGNS SHALL BE RED IN COLOR WITH WHITE REFLECTIVE LETTERING AND SHALL BE 0.08 GAUGE ALUMINUM AND SHALL BE SECURELY ATTACHED TO THE FDC OR PIV WITH "U" TYPE BOLTS.

DETAIL NO.

**FD104**  
NTS



CITY OF CHANDLER  
STANDARD DETAIL

**FIRE DEPARTMENT  
VALVE SIGNAGE**

APPROVED:

*M. Sunderhaus*

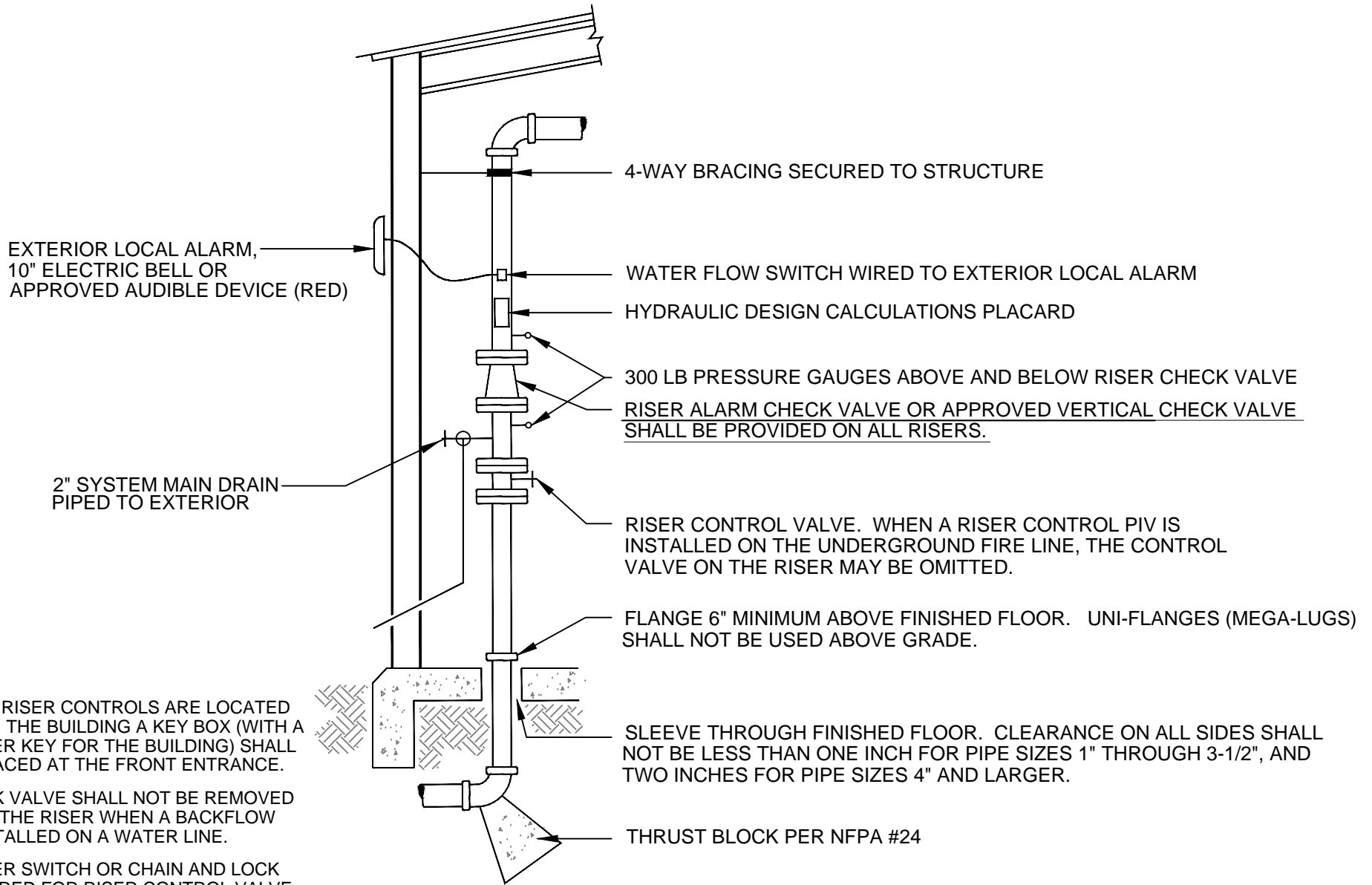
FIRE MARSHAL

DATE:

07-09-2015

DETAIL NO.

**FD104**  
NTS



- NOTE:**
1. WHEN RISER CONTROLS ARE LOCATED INSIDE THE BUILDING A KEY BOX (WITH A MASTER KEY FOR THE BUILDING) SHALL BE PLACED AT THE FRONT ENTRANCE.
  2. CHECK VALVE SHALL NOT BE REMOVED FROM THE RISER WHEN A BACKFLOW IS INSTALLED ON A WATER LINE.
  3. TAMPER SWITCH OR CHAIN AND LOCK REQUIRED FOR RISER CONTROL VALVE.

DETAIL NO.  
**FD105**  
NTS



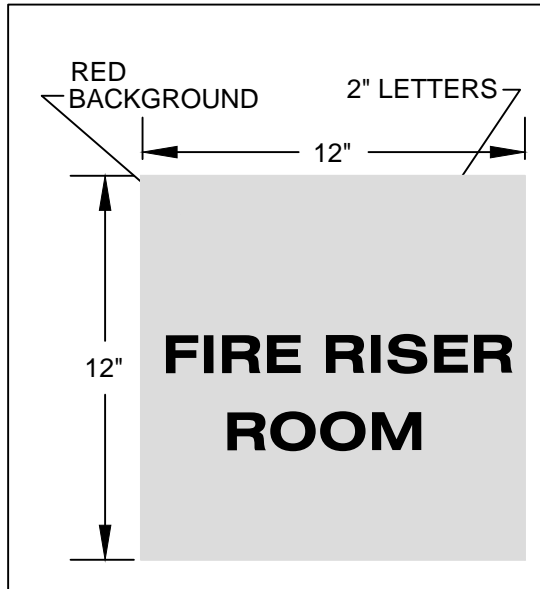
CITY OF CHANDLER  
STANDARD DETAIL

**FIRE SPRINKLER SYSTEM RISER  
COMMERCIAL INSTALLATION**

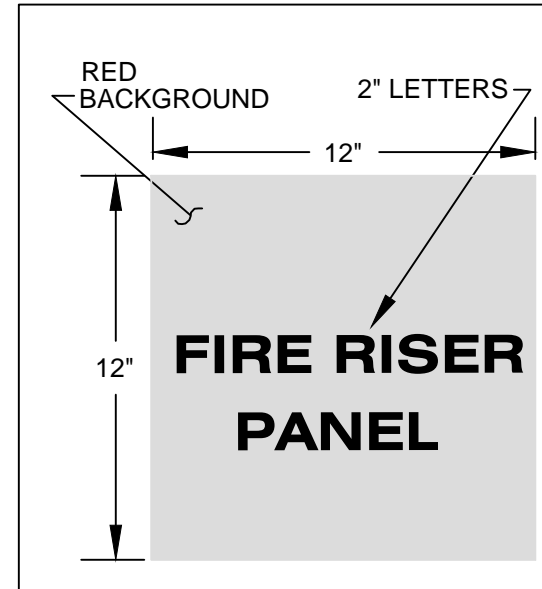
APPROVED: *M. Sunderhaus*  
FIRE MARSHAL  
DATE: 07-09-2015

DETAIL NO.  
**FD105**  
NTS

## SIGNAGE A



## SIGNAGE B



### NOTES:

1. ALL SIGNS SHALL RED IN COLOR WITH WHITE REFLECTIVE LETTERING.
2. OUTSIDE SIGNS SHALL BE 0.08 GAUGE ALUMINUM OR EQUIVILANT, SECURED TO THE DOOR, OR THE SIGN MAY BE STENCILED ON THE DOOR. STENCILING SHALL BE RED BACKGROUND WITH WHITE REFLECTIVE LETTERING.
3. INSIDE SIGNS SHALL BE OF DURABLE MATERIAL.

DETAIL NO.

**FD106**

NTS



CITY OF CHANDLER  
STANDARD DETAIL

### **FIRE RISER ROOM AND FIRE ALARM PANEL SIGNAGE**

APPROVED: *M. Sunderhaus*

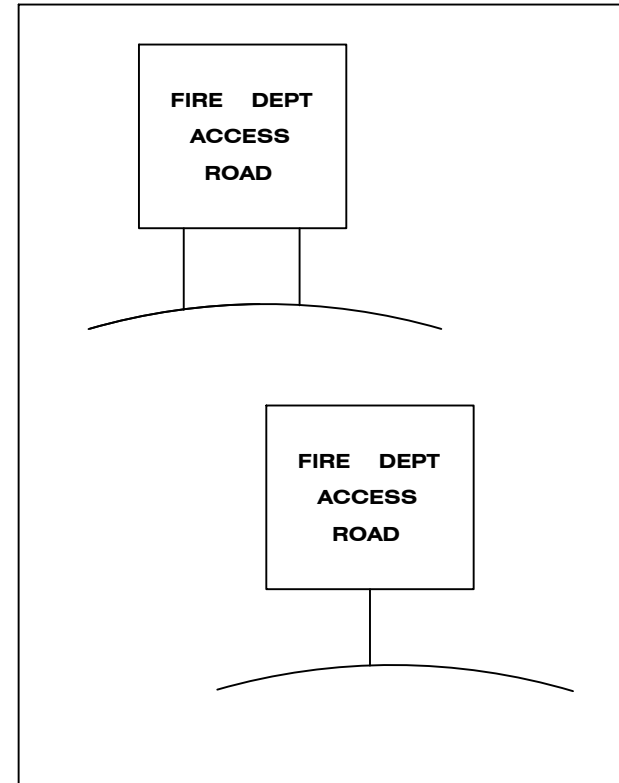
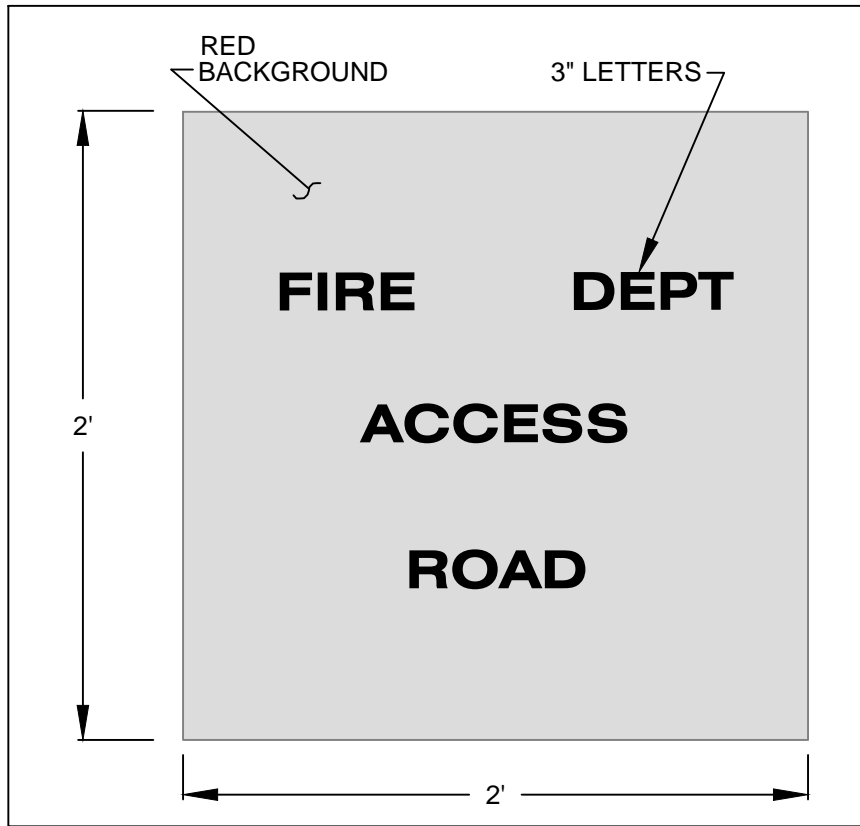
FIRE MARSHAL

DATE: 07-09-2015

DETAIL NO.

**FD106**

NTS



**NOTES:**

1. ALL SIGNS SHALL RED IN COLOR WITH WHITE REFLECTIVE LETTERING.
2. SIGNS SHALL BE POSTED AT ALL FIRE DEPT ACCESS POINTS TO THE SITE.
3. SIGNS SHALL BE MADE OF DURABLE OR ALL WEATHER MATERIALS.
4. SIGNS SHALL BE MOUNTED ON EITHER A SINGLE CENTER POST OR DOUBLE SIDE POST. POST MAY BE STEEL OR WOOD.
5. TOP OF SIGN SHALL BE 6-8 FEET FROM FINISH GRADE.
6. SIGNS SHALL BE POSTED WHEN TEMPORARY FIRE DEPARTMENT ACCESS ROADS ARE INSTALLED.
7. SIGNS SHALL BE REMOVED WHEN PERMANENT ROADS ARE COMPLETED.

DETAIL NO.

**FD107**

NTS



CITY OF CHANDLER  
STANDARD DETAIL

**TEMPORARY FIRE DEPT  
ACCESS ROAD SIGNAGE**

APPROVED: *M. Sunderhaus*

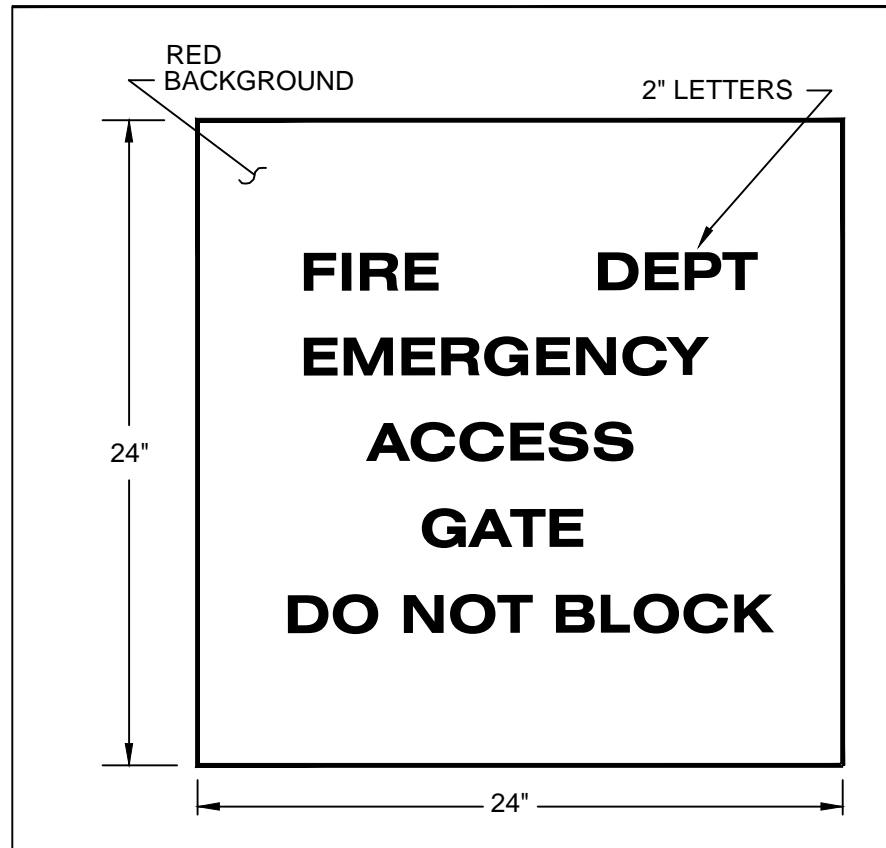
FIRE MARSHAL

DATE: 07-09-2015

DETAIL NO.

**FD107**

NTS

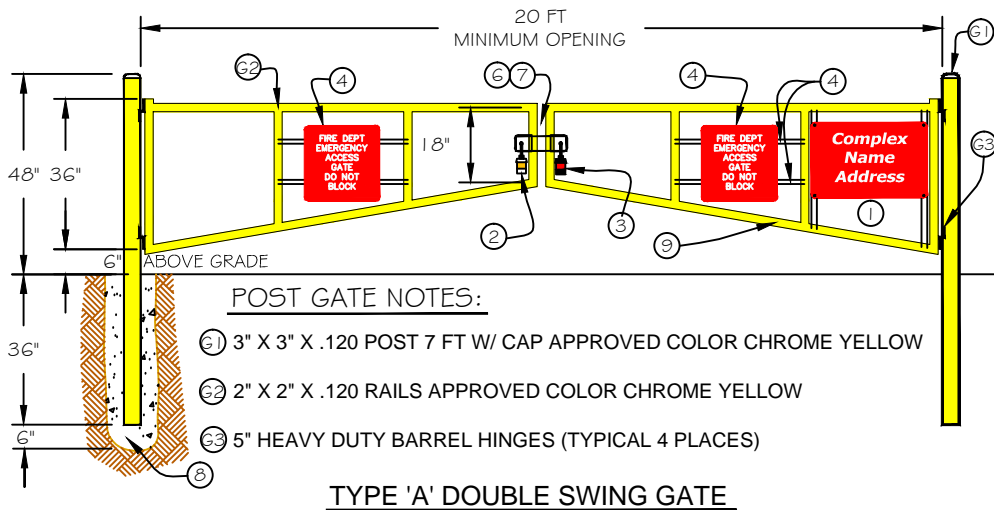
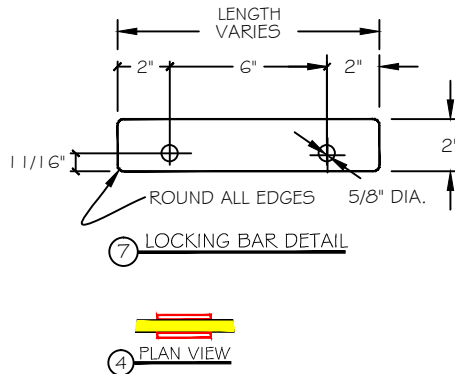
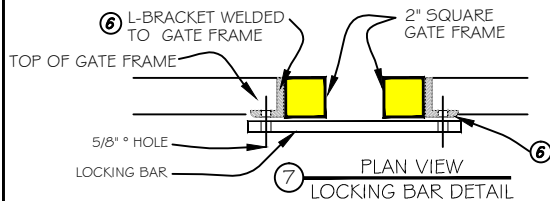
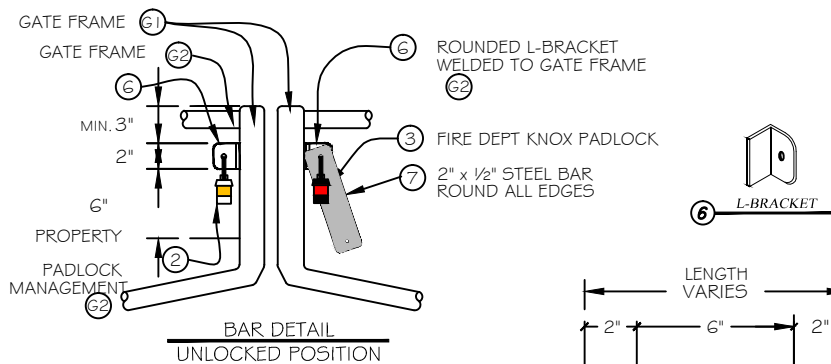


NOTES:

1. ALL SIGNS SHALL USE 3M RED HIGH INTENSITY PRISMATIC SHEETING WITH WHITE REFLECTIVE LETTERING.
2. SIGNS SHALL BE POSTED AT ALL FIRE DEPT EMERGENCY GATE ACCESSSES.
3. SIGNS SHALL BE MADE OF DURABLE OR ALL WEATHER MATERIALS.
4. SIGNS SHALL BE MOUNTED ON BOTH SIDES OF THE GATE.

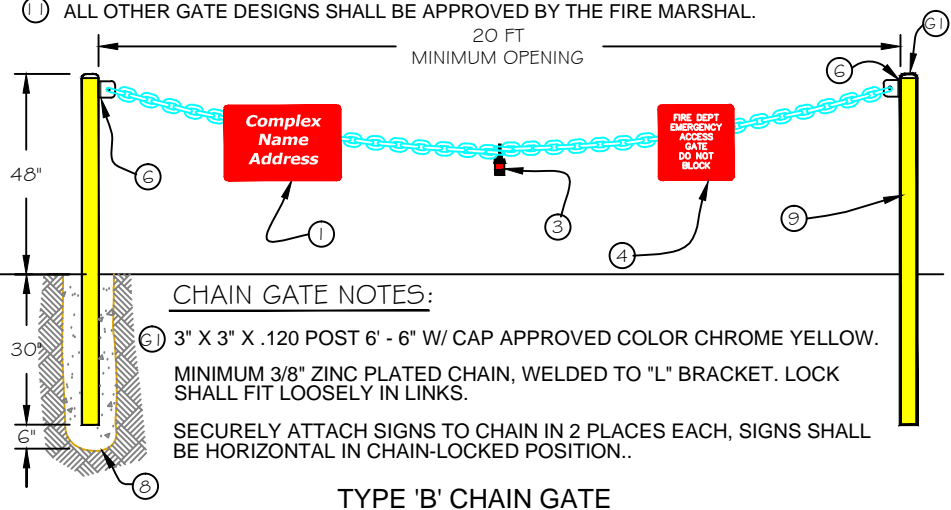
DETAIL NO. <b>FD108</b> NTS	 CITY OF CHANDLER STANDARD DETAIL	<b>FIRE DEPT EMERGENCY ACCESS GATE SIGNAGE</b>	APPROVED: <i>M. Sunderhaus</i> FIRE MARSHAL DATE: 07-09-2015	DETAIL NO. <b>FD108</b> NTS
-----------------------------------	---	--	--	-----------------------------------





**GENERAL NOTES:**

- ① APPROVED SIGN, (2" LETTERS HELVETICA MEDIUM, 36" x 24"), SHALL USE 3M RED HIGH INTENSITY PRISMATIC SHEETING WITH WHITE REFLECTIVE LETTERING, TO IDENTIFY THE NAME OF THE COMPLEX AND THE LOCATION (ADDRESS). 1/4" X 1 1/2" MOUNTING STRAPS.
- ② PROPERTY OWNER/MANAGEMENT PADLOCK (ONLY LONG HASP LOCKS ARE ALLOWED).
- ③ KNOX PADLOCK SHALL BE ACCESSIBLE FROM BOTH SIDES OF GATE. (KNOX PADLOCK CAN BE PURCHASED AT [www.knoxbox.com](http://www.knoxbox.com), enter "chandler" for the City.)
- ④ "FD EMERGENCY ACCESS DO NOT BLOCK" FD108 SIGNS (2" LETTERS, 24" x 24"), SHALL USE 3M RED HIGH INTENSITY PRISMATIC SHEETING WITH WHITE REFLECTIVE LETTERING, PLACED BACK TO BACK AND FASTENED ON ALL 4 CORNERS. 1/4" X 1 1/2" MOUNTING STRAPS.
- ⑤ THE MINIMUM OVERALL WIDTH OF THE GATE OPENING SHALL BE 20 FT.
- ⑥ WELD MODIFIED L-BRACKET TO GATE FRAME OR POST. ROUND ALL EDGES. (TYPICAL 2 PLACES)
- ⑦ LOCKING BAR LENGTH IS DETERMINED BY THE FRAME WIDTH AND THE GAP WIDTH BETWEEN THE 2 GATES. REMOVE ALL SHARP EDGES / ROUND ALL CORNERS.
- ⑧ 24" DIAMETER CONCRETE POST FOOTINGS. (TYPICAL)
- ⑨ POSTS AND GATES SHALL BE PAINTED CHROME YELLOW.
- ⑩ GATES / BARRIERS SHALL BE SET OFF THE ROADWAY FIFTY-FIVE (55') TO ALLOW SAFE DISTANCE TO PULL OFF THE ROADWAY.
- ⑪ ALL OTHER GATE DESIGNS SHALL BE APPROVED BY THE FIRE MARSHAL.



DETAIL NO.  
**FD109**  
NTS



CITY OF CHANDLER  
STANDARD DETAIL

**EMERGENCY ACCESS  
BARRIER**

APPROVED: *M. Sunderhaus*  
FIRE MARSHAL  
DATE: 07-09-2015

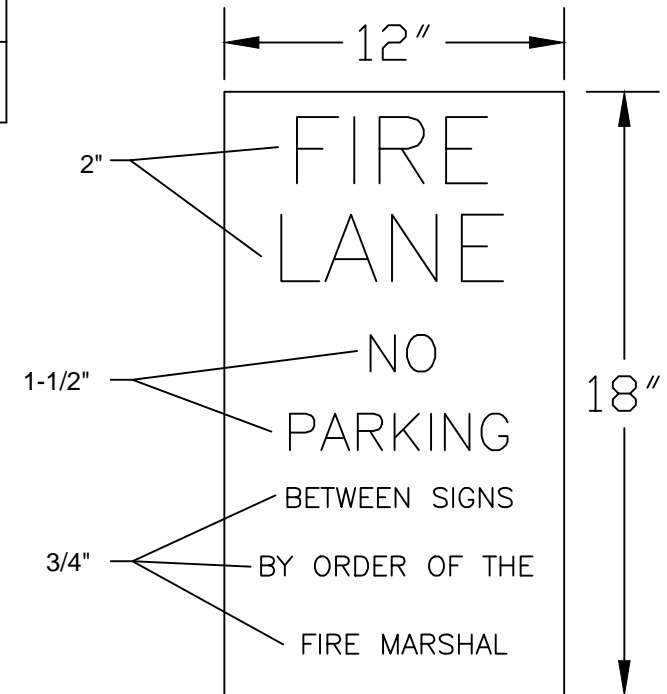
DETAIL NO.  
**FD109**  
NTS

MINIMUM ACCESSWAY WIDTH FOR FIRE LANE SIGN PLACEMENT

WIDTH (TO-BACK-OF-CURB)	PARKING CONDITIONS	SIGNS REQUIRED
LESS THAN 29'	NO PARKING ON EITHER SIDE OF STREET	THIS DETAIL
29' TO LESS THAN 35'	PARKING ON ONE SIDE OF STREET ONLY	ONE SIDE
35' OR MORE	PARKING ON BOTH SIDES OF STREET	NOT REQUIRED

NOTES:

1. 2" LETTERS ARE 5/8" WIDE.
2. 1-1/2" LETTERS ARE 1/2" WIDE.
3. 3/4" LETTERS ARE 1/8" WIDE.
4. ALL LETTERS ARE RED WITH A WHITE BACKGROUND.
5. THE SIGNS ARE TO BE MOUNTED ON A POST AS PER MAG STD. DTL. 131.
6. THE BOTTOM OF THE SIGN IS TO BE 7' ABOVE GRADE AND NO MORE THAN 75' APART.
7. CURBING SHALL BE PAINTED BRILLIANT RED WITH WHITE 2" LETTERING "NO PARKING-FIRE LANE".
8. SIGNING AND CURBING SHALL BE INSTALLED UNLESS A WRITTEN VARIANCE IS PROVIDED TO THE FIRE MARSHAL FOR APPROVAL AND APPROVED.
9. THESE SIGNS ARE NOT SUPPLIED BY THE CITY OF CHANDLER.



DETAIL NO.  
**FD111**  
NTS

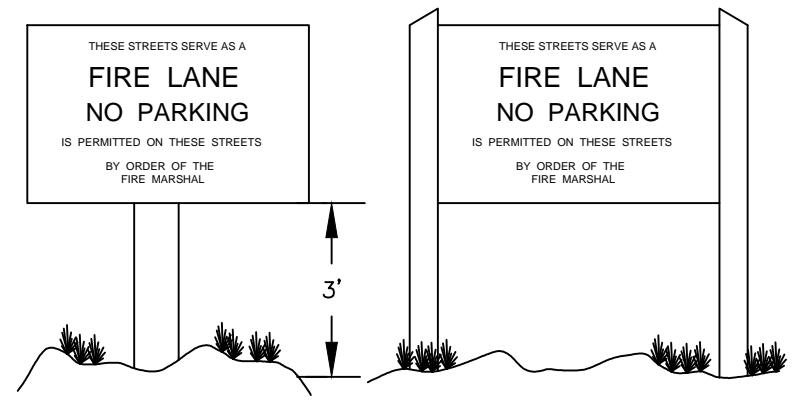


CITY OF CHANDLER  
STANDARD DETAIL

**FIRE LANE SIGNAGE**

APPROVED: *M. Sunderhaus*  
FIRE MARSHAL  
DATE: 07-09-2015

DETAIL NO.  
**FD111**  
NTS

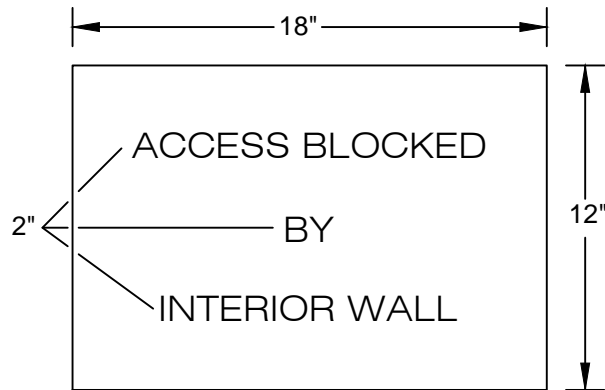


**NOTES:**

1. THIS SIGN MAY BE USED FOR PRIVATE STREET AND SUBDIVISIONS AS APPROVED BY FIRE MARSHAL.
2. 3 INCH LETTERS ARE 5/8 INCH WIDE.
3. 2-1/2 INCH LETTERS ARE 1/2 INCH WIDE.
4. 1 INCH LETTERS ARE 1/8 INCH WIDE.
5. ALL LETTERS ARE RED WITH A WHITE BACKGROUND.
6. SIGNS SHALL BE MOUNTED ON EITHER A SINGLE CENTER POST OR DOUBLE SIDE POSTS. POSTS MAY BE STEEL OR WOOD.
7. SIGNS SHALL HAVE A MINIMUM DIMENSION OF 24 INCHES BY 18 INCHES HIGH.
8. THE BOTTOM OF THE SIGN IS TO BE 3 FEET ABOVE GRADE SIGNS AND POSTS ARE NOT SUPPLIED BY THE CITY OF CHANDLER.
9. ALL SIGNS SHALL BE VISIBLE UPON ENTERING THE PRIVATE STREET.
10. ALL SIGNS SHALL BE MAINTAINED LEGIBLE BY THE HOA OR THEIR LEGAL REPRESENTATIVE, PER CITY CODE.
11. THESE SIGNS ARE NOT SUPPLIED BY THE CITY OF CHANDLER.

DETAIL NO. <b>FD112</b> NTS	 CITY OF CHANDLER STANDARD DETAIL	<b>ALTERNATIVE          FIRE LANE SIGNAGE          (APPROVED BY FIRE MARSHAL ONLY)</b>	APPROVED: <u><i>M. Sunderhaus</i></u> FIRE MARSHAL DATE: <u>07-09-2015</u>	DETAIL NO. <b>FD112</b> NTS
-----------------------------------	--	--	--	-----------------------------------

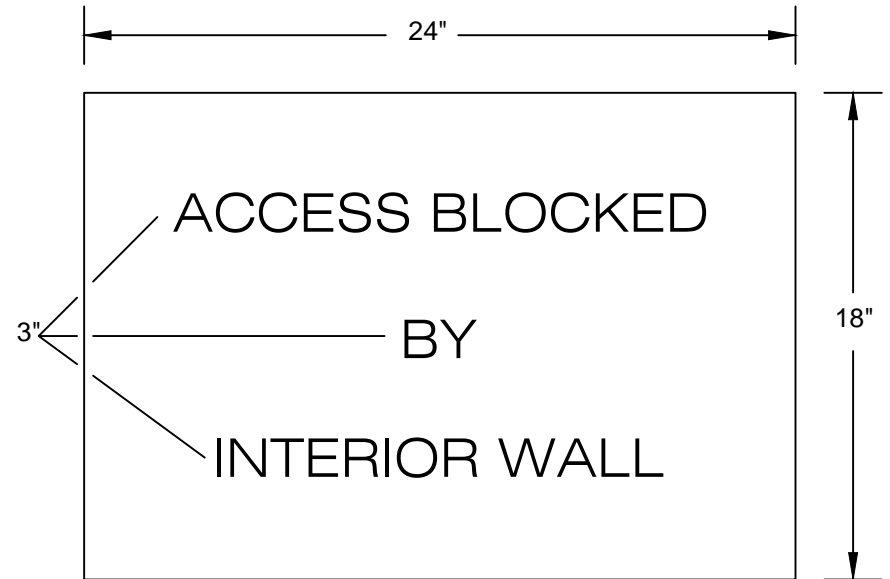
**PERSONNEL ENTRY/EXIT DOOR**



NOTES:

1. LETTERS SHALL BE 2" IN HEIGHT.
2. LETTERING SHALL BE WHITE REFLECTIVE WITH A RED BACKGROUND.
3. SIGNS SHALL BE 0.08 GAUGE ALUMINUM.
4. SIGNS SHALL BE SECURED TO THE DOOR IN A PERMANENT FASHION. NO GLUE. SIGN MAY BE STENCILED ON DOOR.
5. TOP OF SIGN SHALL BE 6' ABOVE FINISHED GRADE.

**OVERHEAD GARAGE DOOR**



NOTES:

1. LETTERS SHALL BE 3" IN HEIGHT.
2. LETTERING SHALL BE WHITE REFLECTIVE WITH A RED BACKGROUND.
3. SIGNS SHALL BE 0.08 GAUGE ALUMINUM.
4. SIGNS SHALL BE SECURED TO THE DOOR IN A PERMANENT FASHION. NO GLUE. SIGN MAY BE STENCILED ON DOOR.
5. TOP OF SIGN SHALL BE 6' ABOVE FINISHED GRADE.

DETAIL NO.

**FD115**

NTS



CITY OF CHANDLER  
STANDARD DETAIL

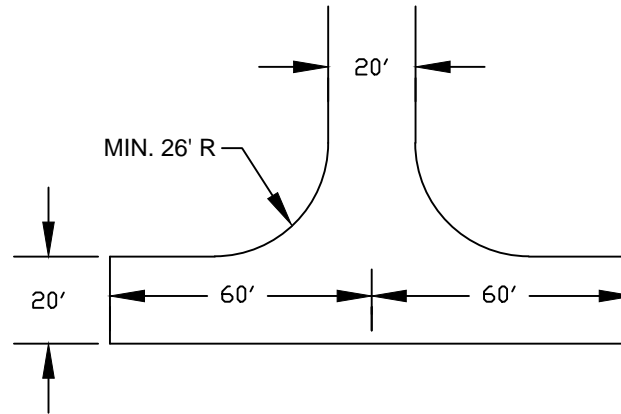
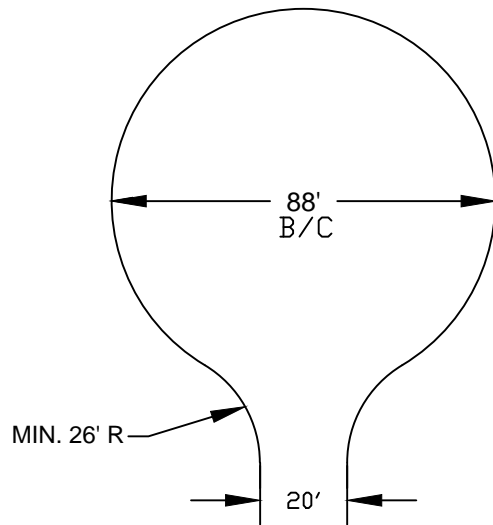
**BLOCKED DOOR SIGNAGE**

APPROVED: *M. Sunderhaus*  
FIRE MARSHAL  
DATE: 07-09-2015

DETAIL NO.

**FD115**

NTS



TURNAROUNDS: ALL DEAD-END FIRE APPARATUS ACCESS ROADS IN EXCESS OF 150 FEET IN LENGTH SHALL BE PROVIDED WITH APPROVED APPARATUS TURNAROUNDS.

SURFACE: FIRE APPARATUS ACCESS ROADS SHALL BE DESIGNED AND MAINTAINED TO SUPPORT THE IMPOSED LOADS OF FIRE APPARATUS (80,000 LBS. MIN) AND SHALL BE PROVIDED WITH A SURFACE SO AS TO PROVIDE ALL-WEATHER DRIVING CAPABILITIES.

HEIGHT: UNOBSTRUCTED VERTICAL CLEARANCE SHALL BE NOT LESS THAN 13 FEET 6 INCHES.

WIDTH: UNOBSTRUCTED WIDTH SHALL NOT BE LESS THAN 20 FEET TO BACK-OF-CURB.

DETAIL NO.

**FD141**

NTS



CITY OF CHANDLER  
STANDARD DETAIL

**FIRE APPARATUS  
ROADWAYS AND TURNAROUNDS**

APPROVED: *M. Sunderhaus*

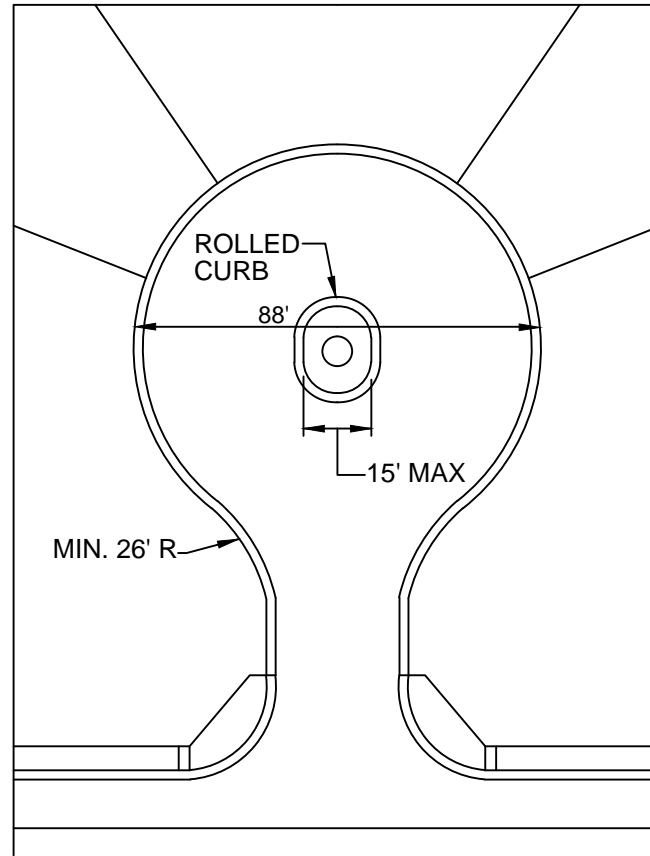
FIRE MARSHAL

DATE: \_\_\_\_\_

DETAIL NO.

**FD141**

NTS



**LANDSCAPE IN CUL-DE-SAC**

NOTE:  
SEE ALSO FD141 FOR MORE DETAILS

DETAIL NO.

**FD143**

NTS



CITY OF CHANDLER  
STANDARD DETAIL

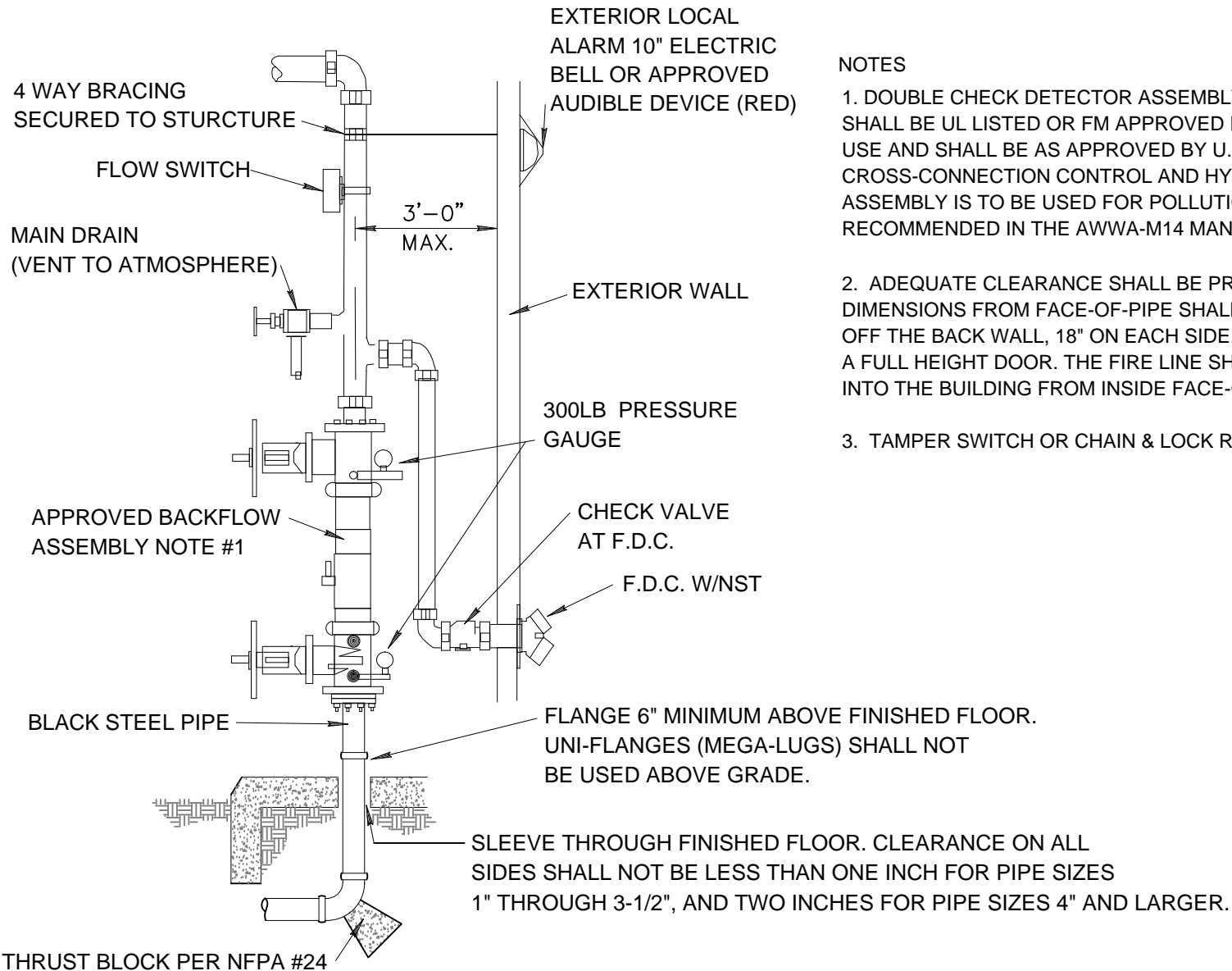
**FIRE APPARATUS  
ROADWAYS AND TURNAROUNDS  
PRIVATE RESIDENTIAL CUL-DE-SAC**

APPROVED: *M. Sunderhaus*  
FIRE MARSHAL  
DATE: **DRAFT**

DETAIL NO.

**FD143**

NTS



**NOTES**

1. DOUBLE CHECK DETECTOR ASSEMBLY WITH BYPASS METER SHALL BE UL LISTED OR FM APPROVED FOR FIRE PROTECTION USE AND SHALL BE AS APPROVED BY U.S.C. FOUNDATION FOR CROSS-CONNECTION CONTROL AND HYDRAULIC RESEARCH. THIS ASSEMBLY IS TO BE USED FOR POLLUTION HAZARDS ONLY AS RECOMMENDED IN THE AWWA-M14 MANUAL.
2. ADEQUATE CLEARANCE SHALL BE PROVIDED AROUND FIRE RISER. DIMENSIONS FROM FACE-OF-PIPE SHALL MEASURE A MINIMUM OF 12" OFF THE BACK WALL, 18" ON EACH SIDE, AND 36" CLEAR IN FRONT WITH A FULL HEIGHT DOOR. THE FIRE LINE SHALL EXTEND A MAXIMUM OF 36" INTO THE BUILDING FROM INSIDE FACE-OF-WALL TO CENTER OF PIPE.
3. TAMPER SWITCH OR CHAIN & LOCK REQUIRED FOR CONTROL VALVES.

DETAIL NO.

**FD144**

NTS



CITY OF CHANDLER  
STANDARD DETAIL

**FIRE SPRINKLER RISER W/  
BACKFLOW PREVENTION  
(DOWNTOWN INSTALLATION ONLY)**

APPROVED: *M. Sunderhaus*

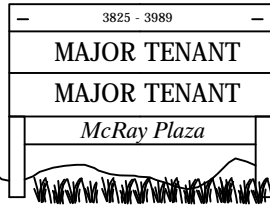
FIRE MARSHAL

DATE: **DRAFT**

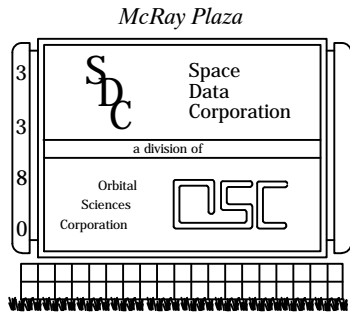
DETAIL NO.

**FD144**

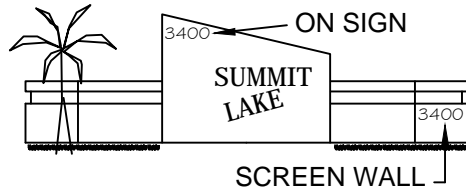
NTS



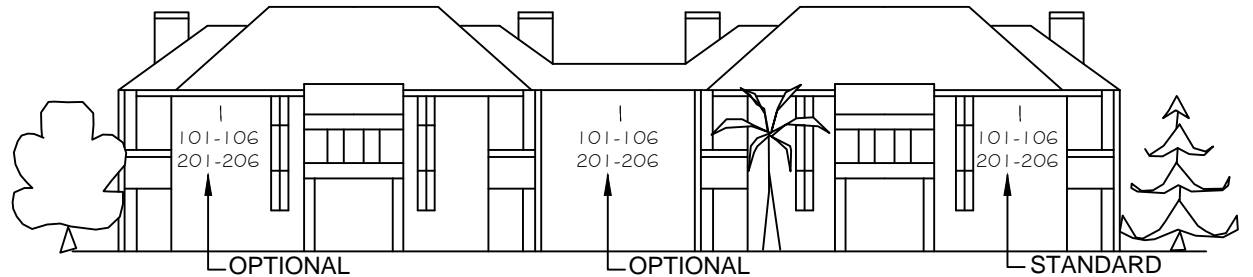
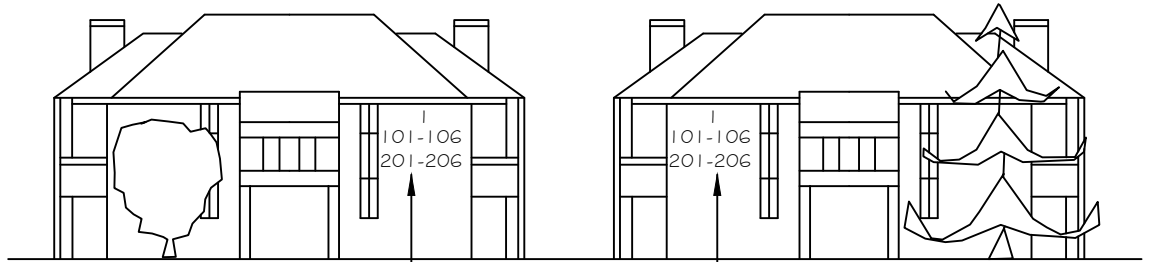
THE ADDRESS NUMBERS SHALL BE POSTED ON THE TOP CENTER IDENTIFICATION SIGN AT MAIN ENTRANCE OF COMMERCIAL MALL, CENTER, VILLAGE, OR SQUARE, SO AS TO BE VISIBLE FROM A NORTH-SOUTH OR EAST-WEST DIRECTION.



PERMANENT FIXTURE WITH THE SITUS ADDRESS SHALL BE PLACED IN A CONSPICUOUS LOCATION IF NOT VIEWABLE FROM THOROUGHFARE FRONTAGE SO AS TO BE VISIBLE FROM A NORTH-SOUTH OR EAST-WEST DIRECTION.



ADDRESS SHALL BE DISPLAYED ON THE TOP PORTION OF THE COMPLEX IDENTIFICATION SIGN OR ON THE TOP PORTION OF THE SCREEN WALL AT THE MAIN ENTRANCE SO AS TO BE VISIBLE FROM A NORTH-SOUTH OR EAST-WEST DIRECTION



BUILDING IDENTIFICATION NUMBERS AND INTERVAL OF SUB-STRUCTURE SUFFIXES ASSIGNED TO INDIVIDUAL UNITS SHALL BE DISPLAYED IN THE UPPER, RIGHT HAND CORNER AT THE END OF EACH BUILDING SO AS TO BE PLAINLY VISIBLE FROM THE ACCESS THOROUGHFARE. ALPHA CHARACTERS MAY BE ASSIGNED FOR BUILDING IDENTIFICATION FOR MULTI FAMILY DEVELOPMENTS WHERE SINGLE DIGIT SUB-STRUCTURE SUFFIXES ARE USED. MULTI FAMILY DEVELOPMENTS WITH INTERNAL DRIVES, BUILDING LETTER/NUMBER AND RANGE OF SUB-STRUCTURE SUFFIXES SHALL BE POSTED ON EACH SIDE OF BUILDING SO AS TO BE CLEARLY VISIBLE FROM ALL ACCESS DRIVES AND THOROUGHFARES. \*\* EXCEPTION: INTERVAL OF SUB-STRUCTURE SUFFIXES MAY BE DISPLAYED ELSEWHERE ONBUILDING DUE TO REQUIRED LANDSCAPING, SUBJECT TO APPROVAL OF THE STREET NAMING AND ADDRESSING COORDINATOR. COLOR OF NUMBERS/LETTERS AND BACKGROUND SHALL CONTRAST AND CONFORM TO REQUIREMENTS FOR HELVETICA MEDIUM NUMBERING/LETTERING DISTANCE AT WHICH LETTERS/NUMBERS SHALL BE LEGIBLE FROM CENTER OF THOROUGHFARE:

- 0-50' 4" - APPLIES TO SINGLE FAMILY RESIDENTIAL, MULTI-FAMILY, COMMERCIAL MALLS, CENTERS, OR VILLAGES.
- 50-200' 10" - INTERVAL OF LOW-HIGH SUB-STRUCTURES SUFFIXES FOR MULTI-FAMILY DEVELOPMENTS MAY MINIMUM OF 6"-8" IN HEIGHT. INTERVAL OF LOW-HIGH SITUS ADDRESSES ON CENTER IDENTIFICATION SIGN MAY BE A MINIMUM OF 8" IN HEIGHT.
- 201-300' - 12"
- 301-400' - 14"

FOR COMMERCIAL MALLS, CENTERS, VILLAGES AND SQUARES, DISTANCE TO BE MEASURED FROM CENTER OF ACCESS DRIVE TO STRUCTURE(S).

**NOTES:**

1. THERE SHALL BE NO LANDSCAPING THAT COVERS OR HINDERS THE VIEW OF THE MONUMENT SIGN OR SCREEN WALL FROM THE ROADWAY.
2. ALL SUITES SHALL HAVE THE ADDRESS AND SUITE NUMBER ON BOTH THE FRONT AND BACK DOOR(S).

DETAIL NO.

**FD151**  
NTS



CITY OF CHANDLER  
STANDARD DETAIL

**ADDRESS IDENTIFICATION**

APPROVED: *M. Sunderhaus*  
FIRE MARSHAL  
DATE: **DRAFT**

DETAIL NO.

**FD151**  
NTS